



BOMAG
FAYAT GROUP

Tandem Vibratory Roller **BW100AD-4**



*Machine may be shown with options.

www.bomag.com/us



Clear operation and indicator controls with a new ergonomic steering wheel for maximum comfort.



Wind screen protected water spray nozzles with integrated filter provides uniform coverage.



Maintenance free bolt on articulated and oscillating joint.



Technical Specifications

BW100AD-4

Shipping dimensions

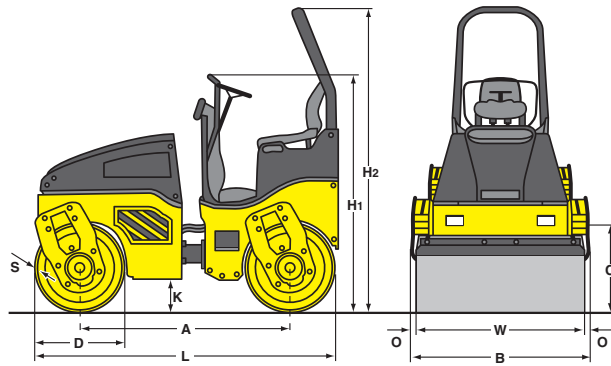
in cubic feet (m ³)	without/with ROPS	
BW100AD-4	168.9 (4.8)	233.7 (6.6)

Standard Equipment

- Oscillating articulating center joint
- 2 flexible scrapers per drum
- Suspended operator's platform
- Plastic water tank
- Hour meter
- Lockable engine cover
- Crab walk (1.6 in / 40 mm)
- Lockable anti-vandal dashboard protection
- Transport lashing and lifting points front/rear
- Emergency stop button
- Vibration cut-off, rear drum
- Back-up alarm
- Fuel level indicator
- Pressurized water sprinkler system
- Laterally sliding seat
- ROPS with safety belts
- Seat with contact switch

Optional Equipment

- Working lights front/rear
- Edge cutter
- Indicator and hazard lights
- Rotary beacon
- Biodegradable hydraulic oil
- Special paint
- Tool kit
- Double travel lever (Sliding Seat)
- Foldable ROPS
- Single point lifting device



Dimensions in inches (mm)

	A	B	C	D	H ₁	H ₂	K	L	O	S	W
BW100AD-4	68.0 (1728)	42.4 (1076)	18.7 (475)	27.6 (700)	70.9 (1800)	97.5 (2475)	10 (255)	97.4 (2475)	1.5 (38)	0.5 (13)	39.4 (1000)

Technical data

BOMAG BW100AD-4

Weights

Operating weight	lbs (kg)	5291 (2400)
Average axle load.....	lbs (kg)	2646 (1200)
Average static linear load CECE.....	pli (kg/cm)	67.2 (12.0)

Driving Characteristics (depending on site conditions)

Speed (with vibration).....	mph (kmph)	0-3.1 (0-5.0)
Speed (for transport).....	mph (kmph)	0-7.5 (0-12)
Max. gradeability without/with vibration %		40/30

Drive

Engine manufacturer.....	Kubota
Type.....	D 1703 M
Tier Compliance.....	Tier 4i
Cooling.....	Water
Number of cylinders.....	3
Performance ISO 14396 (max).....	kW 24.3
Performance SAE J1995 (max).....	hp 32.6
Speed (max).....	rpm 2600
Throttle position 1.....	rpm 2400
Throttle position 2.....	rpm 2600
Electric Equipment.....	V 12

Brakes

Service brake	hydrostatic
Parking brake.....	SAHR

Steering

Steering system.....	oscillating, articulating
Steering method.....	hydrostatic
Steering angle +/-.....	degrees 30
Oscillating angle +/-.....	degrees 7
Track Radius, inner.....	in (mm) 107.1 (2720)

Vibratory system

Vibrating drum	front + rear
Drive system	hydrostatic
Frequency.....	vpm (Hz) 3300/4200 (55/70)
Amplitude.....	in (mm) 0.020 (0.50)
Centrifugal force (each drum).....	lbs (kN) 5175/8350 (23/37)

Water Spray System

Type of water spray system	pressurized with nozzles
----------------------------------	--------------------------

Capacities

Fuel.....	gal (l)	10.6 (40)
Water.....	gal (l)	58.1 (220)

Technical modifications reserved. Machines may be shown with options.

B395H-3595 1.5M1013TTPPG